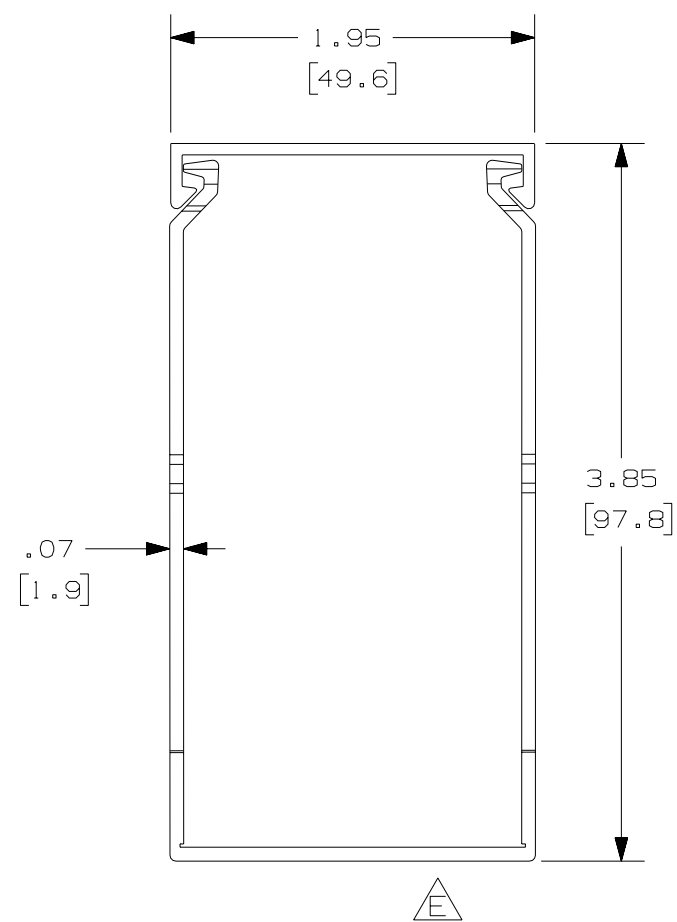
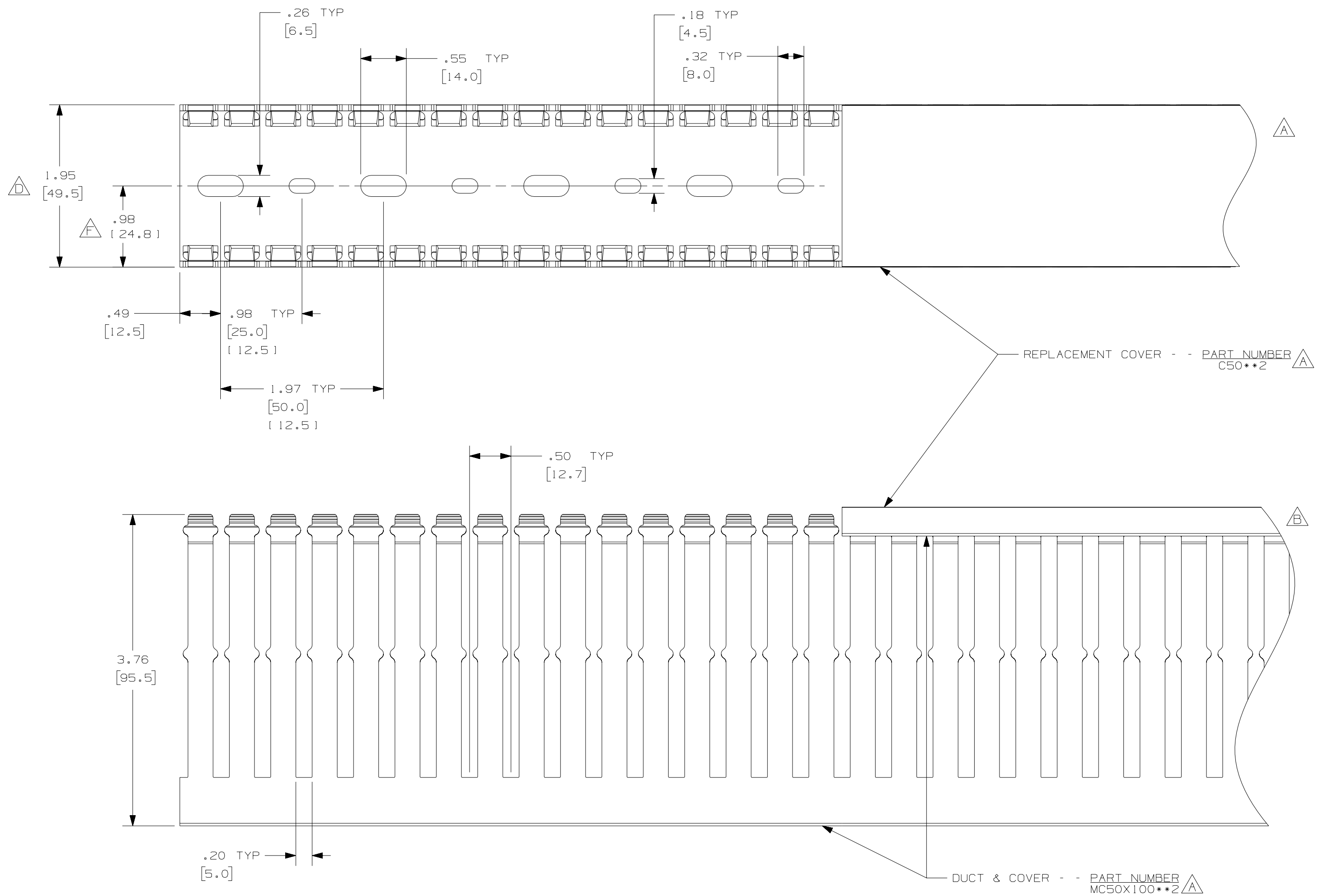


THIS COPY IS PROVIDED ON A RESTRICTED BASIS AND IS NOT TO BE USED IN ANY WAY DETRIMENTAL TO THE INTERESTS OF PANDUIT CORP.



A G

NOTES:

1. ALL DIMENSIONS ARE REFERENCE ONLY.
2. DIMENSIONS IN PARENTHESIS ARE METRIC.
3. THE ** DENOTE COLOR.
4. DUCT AND COVER ARE AVAILABLE IN 6.56 FT, 2 METER [2000.0] LENGTHS.

REV	DATE	BY	CHK	DESCRIPTION
--	-----	---	---	G. ADDED LENGTH NOTE F. CORRECTED DIMENSION
2	8-8-07	JCSTMKBE		E. DELETED DIMENSION D. ADDED DIMENSION
--	-----	---	---	C. CHANGED DRAWING SIZE
1	9-23-05	JCSTMKBE		B. CHANGED VIEW A. ADDED TOP VIEW, NOTES, AND LABELS
R	7-10-03	JHNU JGG		DRAWING RELEASED

CAD FILENAME/LAYERS		D11000KA_DC_01B	
PANDUIT CORP. TINLEY PARK, ILLINOIS			
WIRING DUCT - TYPE MC DUCT WITH COVER 50 X 100 MARKETING DRAWING			
DRWN BY JHNU	MAT'L: PVC	SCALE FULL	DWG C
DATE 7-10-03	CHECKED BY JGG	DRAWING NO. 36897-818	SIZE C

A